

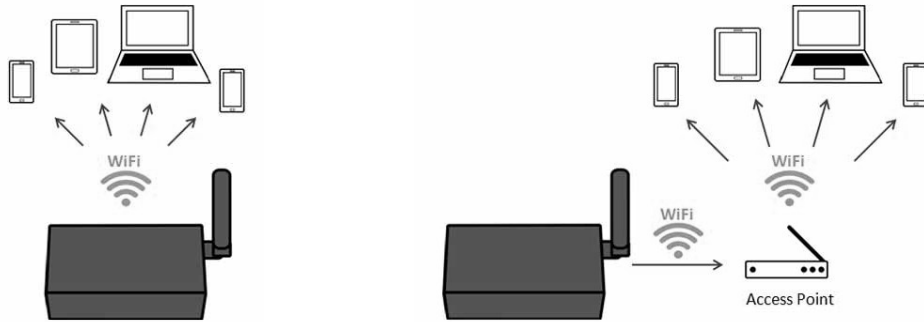
6. Connect via WiFi if desired

You can connect to our wireless products in 2 ways...

Ad-hoc mode WiFi

or

Station mode WiFi



Ad-hoc mode WiFi (direct A024 to phone/tablet/PC) is the default setting, this requires no Windows configuration.

- **On your device (phone/tablet/PC):** 15 seconds after the A024 has powered up, you can scan for a WiFi network with an SSID similar to 'QK-A024xxxx'. Connect the device to '**QK-A024xxxx**' with the default password: '**88888888**'.
- **In your chart software:** set the protocol as '**TCP**', IP address as '**192.168.1.100**' and the port number as '**2000**' in the chart software.

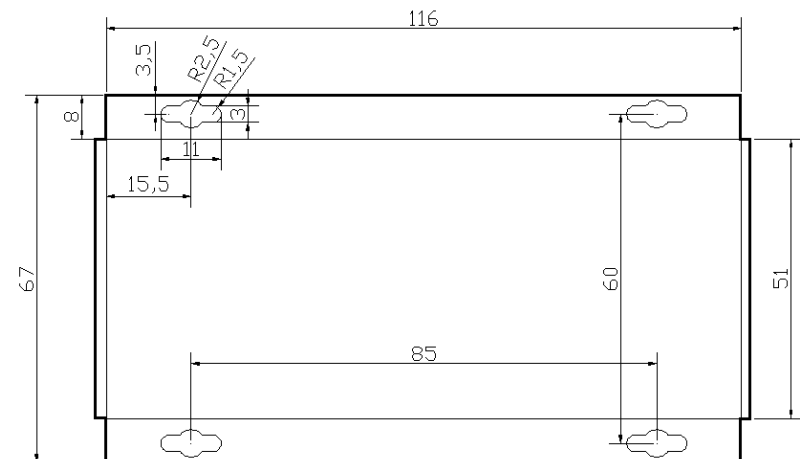
Station mode WiFi (A024 through a router/access point - to phone/tablet/PC) allows you to access your data at the same time as your other WiFi network data. This option requires configuration to set up the connection between the A024 and your router. See the 'Configuration' section of the manual and configuration instructions on the CD provided.

7. You can adjust baud rates if needed

To change the baud rate from the default settings (input 4800bps and output 38400bps), adjust these settings using the Configuration software. See the 'Configuration' section of the manual and configuration instructions on the CD provided.

QK-A024 AIS RECEIVER WITH NMEA MULTIPLEXER + WIFI

- **What You Need**
- **Installation Overview**
- **Notes**



Disclaimer: This product is designed to aid navigation and should be used to augment normal navigational procedures and practices. It is the user's responsibility to use this product prudently. Neither Quark-elec, nor their distributors or dealers accept responsibility or liability either to the product user or their estate for any accident, loss, injury or damage whatsoever arising out of the use or of liability to use this product.

Email: info@quark-elec.com

All products are CE, RoHS certified
www.quark-elec.com





This is an overview only. Familiarize yourself with the manual and the manuals of any connecting devices before installation. It is always recommended that electronic equipment be installed by an experienced installer.

BEFORE LEAVING HOME:

We recommend pre-installing the Configuration software and drivers if needed, as you might not have a CD reader/internet access on site.

Driver and Configuration software are optional and only needed for specific features.

If you will access data on a Mac/Linux/Windows PC:

- Driver required for Windows. If using Windows 10, the driver should install automatically, if not, it is included on the Free CD and at Quark-elec.com.
- Driver not required for Mac or Linux.

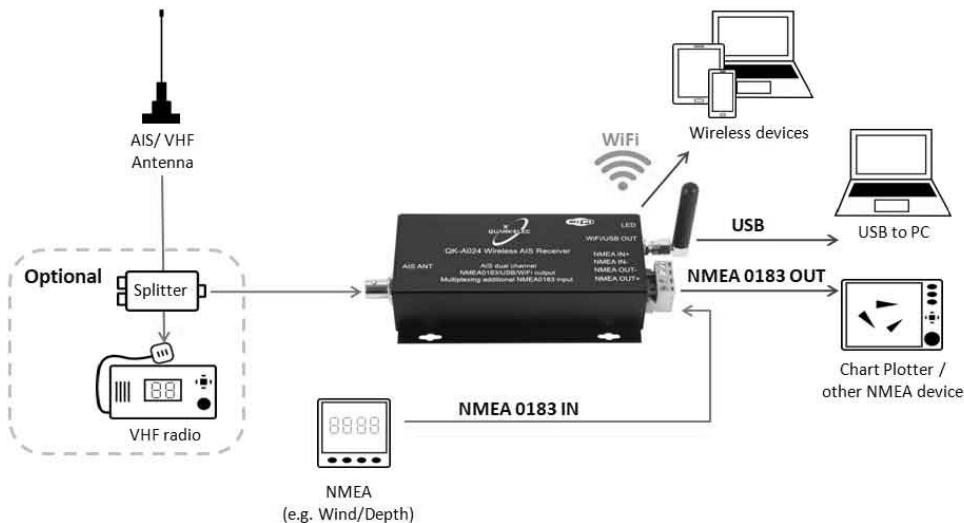
If you will connect to the A024 through Station mode WiFi: (e.g. through a router, see page 4)

- Configuration software (Windows) required. Driver may be required as above.

If you will adjust NMEA 0183 baud rates: The NMEA 0183 baud rates are set to 4800bps (input) and 38400bps (output) as default, as these are the settings used by most input and output NMEA devices. You can adjust the baud rates if desired, using the Configuration software.

- Configuration software (Windows) required. Driver may be required as above.

Configuration Software and specific instructions are on the FREE CD and at www.quark-elec.com.



INSTALLATION

1. Mounting: Consider your location...

- Dry, sturdy location 0.5m from other WiFi equipment.
- Ensure you have the correct length of cable needed for VHF and the 5.0V power via micro USB. If drilling holes for your cabling, seal around any holes to prevent damage to your vessel or equipment.

2. Connect your Antennas: VHF

- **Connect VHF:** If you want to use one VHF antenna for both AIS and radio (or other purposes), then you will need an active splitter. An active splitter will protect the A024 and your other VHF equipment (VHF radio). If not, the two signals will significantly damage each device connected as well as reducing the signal.

If using two VHF antennas, place them as far away as possible from each other (at least 3 metres).

3. Connect Power

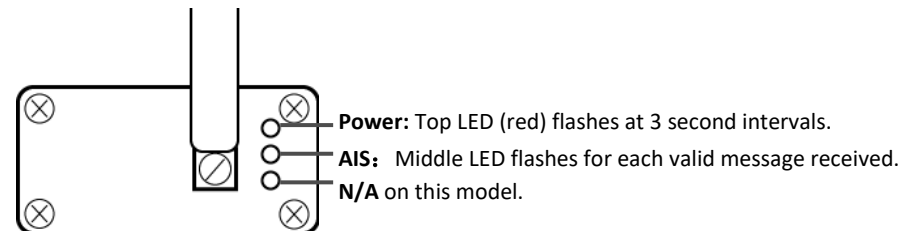
The A024 uses 5.0V power. This is connected via a micro USB. USB cable is provided. This can connect to a mobile or PC. If a mobile electronic device isn't available then we recommend using your vessels battery power. The power must be 5.0V, any higher will damage the A024.



We do not recommend using a cigarette charger. A low noise power connector designed for marine applications is available at www.quark-elec.com/12to5vconverter

4. Check LED lights are working on the A024

The flashing green light indicates a valid AIS signal is being received by the A024.



5. Disconnect power and connect NMEA input and output if desired

Connect the '+' and '-' terminals of the NMEA input/output on the A024 to the '+' and '-' terminals of the output/input on the instrument.

The A024 uses NMEA 0183-RS422. If your connecting device uses the older NMEA 0183-RS232 and you are having issues with your NMEA connection, you may find swapping these terminals works for your device. Alternatively, connect it using a Quark-elec Protocol Bridge (QK-AS03).